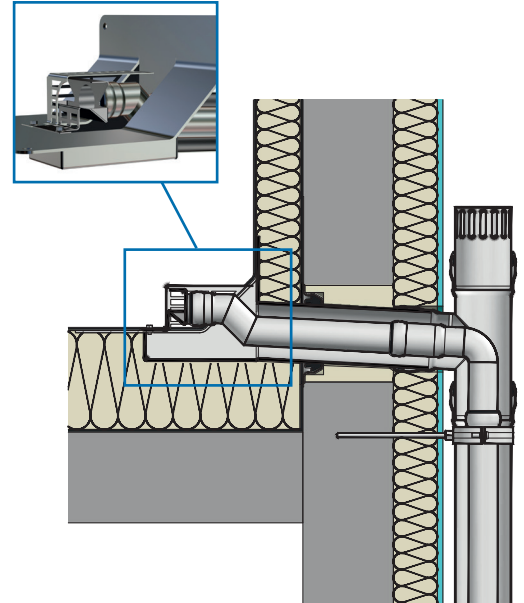


Specification Sheet LX2074

Parapet drainage system Serie 43 LORO-X DUOFLUX® Flach50

Main-emergency-combi pipe-in-pipe
with raised roof penetration

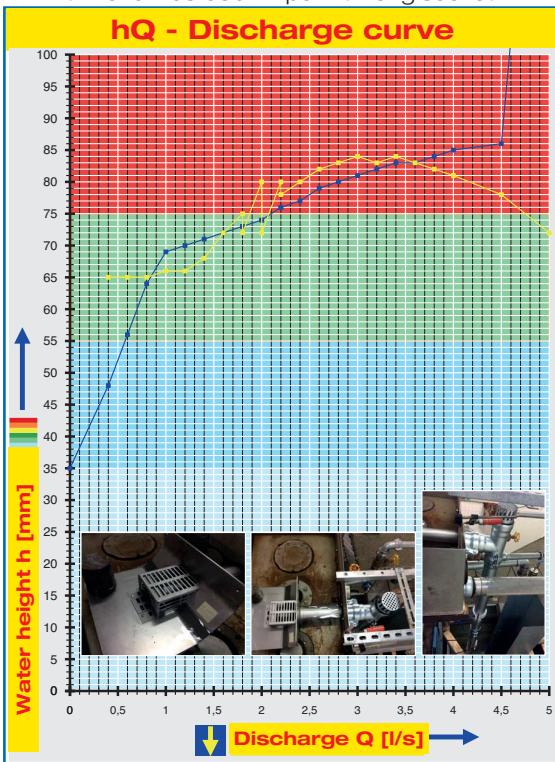


Main drainage		Emergency drainage	
Gravity flow		Siphonic flow	
Silent		Silent Power	
Discharge rate:	2.0 l/s	Discharge rate:	2.1 l/s
Water height:	35 mm	Water height:	75 mm
Roof Penetration:	50 mm	Roof Penetration:	50 mm
Diameter:	DN 100	Diameter:	DN 50
LX-Number:	LX 1981	LX-Number:	LX 2074
Weir height:	0 mm	Weir height:	35 mm
Drain:	ventilated	Drain:	ventilated
Downpipe:	ventilated	Downpipe:	not ventilated
Downpipe height:	4.2 m	Downpipe height:	4.2 m
Drainage:	into ground pipe	Drainage:	into the open
Flange:	bonding flange	Flange:	bonding flange

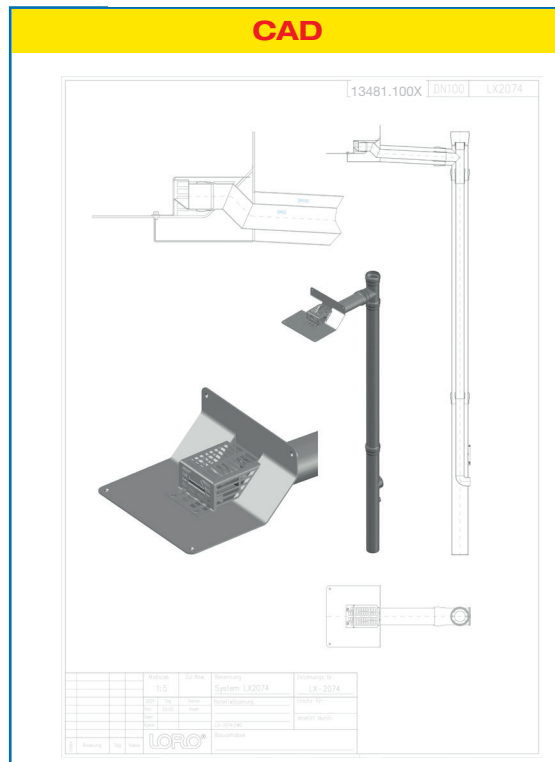
LX 2074 Piece list

- 1 x Art.-No. 13481.100X Main-emergency-combi pipe-in-pipe
- 1 x Art.-No. 01318.000X LORO-Thermal insulation
- 1 x Art.-No. 01401.050X Pipe with one socket
- 1 x Art.-No. 01401.100X Pipe with one socket
- 1 x Art.-No. 15073.100X VARIO Kant sliding flange
- 1 x Art.-No. 13217.100X Ventilation piece
- 1 x Art.-No. 13500.100X Branch with bend
- 1 x Art.-No. 13550.100X Branch with short socket
- 1 x Art.-No. 01203.050X Pipe with long socket

- 1 x Art.-Nr. 01108.050X Pipe with long socket
- 1 x Art.-No. 01001.100X Pipe with one socket
- 1 x Art.-No. 13510.100X Standpipe pipe-in-pipe
- 1 x Art.-No. 00630.100X Connector
- 5 x Art.-No. 00911.050X Sealing elements
- 6 x Art.-No. 00911.100X Sealing elements
- 1 x Art.-No. 00806.100X Anchor clip
- 3 x Art.-No. 00975.100X Pipe clip M10/12
- 3 x Art.-No. 09604.200X Hanger bolt
- 1 x Art.-No. 00986.000X Lubricant



System power



System shape

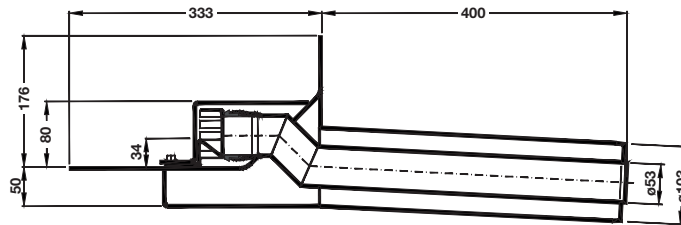
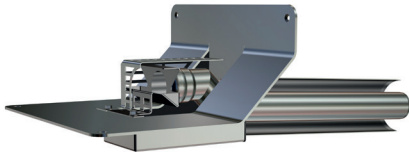
Water height	mm	10	15	20	25	30	35	40	45	50	55	60	65	70	75	80	85	90	95	100
Main drainage LX1981	l/s	0,7	1,1	1,4	1,6	1,8	2,0	2,1	2,3	2,5	2,7	2,9	3,1	3,5	3,7	3,8	4,0	4,2	4,3	4,5
Emergency drainage LX2074	l/s	-	-	-	-	-	-	-	-	0,45	0,6	0,7	0,85	1,2	2,1	2,8	4,0	4,5	4,5	4,5

LORO-X Main-emergency-combi pipe-in-pipe parapet drainage

LX2074-3X

Series 43
LORO-X DUOFLUX® Flach50
Main-emergency-combi pipe-in-pipe

Drain: Art.-No. 13481.100X
 Weight: 9.4 kg
with bonding flange
 with small penetration depth



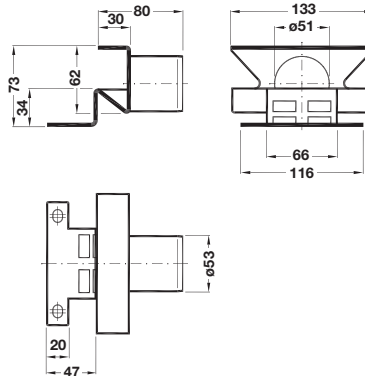
LORO double pipe branch with bend - pipe-in-pipe -

- for LORO-X main-emergency-combi parapet drainage -
 galvanized steel, DN 100/50
 Art.-No. 13500.100X
 Weight: 3.2 kg



LORO-X plug-in weir

- for LORO-X DUOFLUX®Flach50 main-emergency-combi pipe-in-pipe,
 galvanized steel, DN 50
 Is part of article 13481.100X!



LORO-X ventilation piece with perforated plate

- for LORO-X main-emergency-combi parapet drainage
 galvanized steel, DN 100
 Art.-No. 13217.100X
 Weight: 0.7 kg



LORO-X pipe with long socket

-emergency drain pipe (inner pipe)
 for LORO-X main-emergency-combi parapet drainage
 galvanized steel, DN 50
 500 mm long Art.-No. 01302.050X
 1000 mm long Art.-No. 01203.050X
 2000 mm long Art.-No. 01108.050X



LORO-X pipe with one socket,

galvanized steel
 250 mm long
 Art.-No. 01401.050X
 Art.-No. 01401.100X



LORO rain standpipes - pipe-in-pipe -

- for LORO-X main-emergency-combi parapet drainage -
 with cleaning opening,
 galvanized steel, DN 100/50

Art.-No. 13510.100X
 Weight: 6.7 kg



LORO sealing elements

Art.-No. 00911.050X
 Art.-No. 00911.100X